

SURFACE MOUNT WATERPROOF ALUMINIUM PROFILE FOR LINEAR LED STRIP INSTALLATION

IP65 RATED

SKU: PVAC-F85

SURFACE SERIES

The PVAC-F85 Surface Mount Waterproof Aluminium Profile is a premium LED channel designed for clean, linear lighting installations in both indoor and outdoor environments where protection from moisture is essential.

Its unique 2-piece system allows for flexible installation – surface mount the aluminum channel (with or without diffuser) during rough-in, then install the LED strip on the solid metal insert and slide it into the profile. Complete wiring after rough-ins are done for a fast, clean, and professional finish.

Ideal for surface mounted linear lighting on walls, ceilings, cabinets, stairways, architectural details, and other weatherproof applications.



IP65 RATED

Reliable protection against water jets and dust ingress.



DURABLE ALUMINIUM

Premium aluminum construction for excellent heat dissipation and long-term durability.



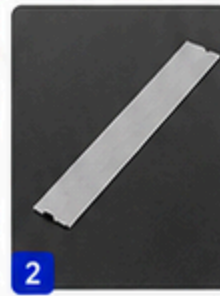
EASY 2-PIECE INSTALLATION

Install channel first, add LED strip to metal insert and slide into profile. Wiring after rough-ins are complete.



1

Install the aluminum profile (with or without diffuser).



2

Stick LED strip to the solid metal insert.



3

Slide the metal insert (with LED strip) into the installed profile.



4

Complete wiring after rough-ins are done.



5

Enjoy clean, waterproof linear lighting.

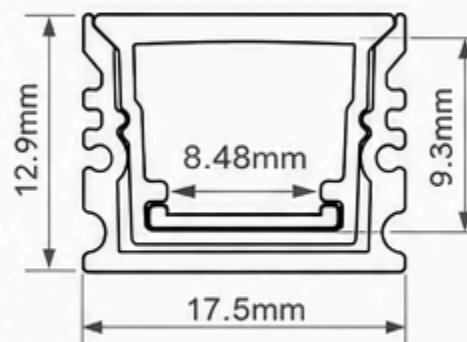
FEATURES

- Surface mount aluminum profile designed for linear LED strips
- IP65 rated protection – ideal for damp and outdoor environments
- 2-piece design for easy and efficient installation
- Can be installed with or without diffuser depending on lighting effect
- Solid metal insert with LED strip slides smoothly into the profile for a seamless look
- Allows for wiring after rough-in for a cleaner, more flexible installation
- Aluminum construction for excellent heat dissipation and corrosion resistance
- Frosted diffuser for smooth, even light distribution and glare reduction
- Perfect for surface mounted applications in residential, commercial, and architectural spaces
- 10 Feet (3.05m) length per profile

SPECIFICATIONS





Model / SKU	PVAC-F85
Profile Type	Surface Mount
Material	Aluminium (Anodized)
Finish	Silver
Diffuser	Frosted / Opal (Removable)
Length	10 Feet (3.05m)
Width	17.5 mm
Height	12.9 mm
Internal Width	8.48 mm
IP Rating	IP65
Mounting	Surface Mount
Compatibility	For LED strips up to 8mm wide
Applications	Indoor / Outdoor
Operating Temp.	-20°C to +45°C

DIMENSIONS



Unit: mm

INCLUDED IN THE PACKAGE

-  1 x Aluminium Profile (10 Feet / 3.05m)
-  1 x Solid Metal Insert
-  2 x Flexible Silicone End Caps (with hole)
-  2 x Flexible Silicone End Caps (no hole)

APPLICATIONS



Under Cabinet Lighting



Closet & Shelf Lighting



Bathroom / Shower



Outdoor Wall Lighting



Stairway Lighting

IP65 RATED



- Suitable for outdoor exposure.
- Do not submerge in water.
- Maintain minimum 5 ft distance from pools, fountains, or standing water.

5 FT



www.picovolt.ca



sales@picovolt.ca



(416) 477-0043