

30mm WIDE COB LED STRIP

ULTRA HIGH OUTPUT COB SERIES

FOR HIGH BRIGHTNESS LINEAR LIGHTING



- SKU: PVSTCOB16432005 3200K
- SKU: PVSTCOB16442005 4200K
- SKU: PVSTCOB16465005 6500K

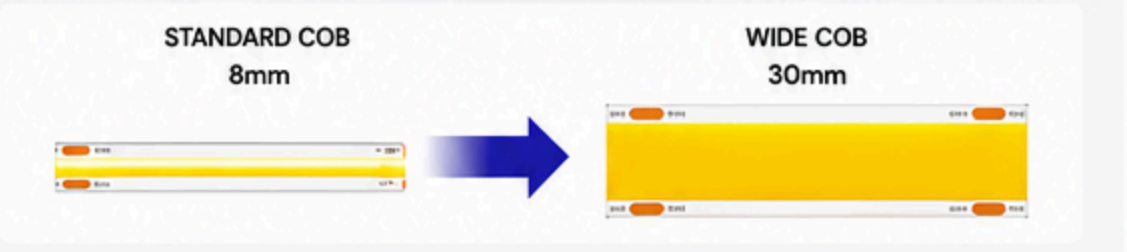
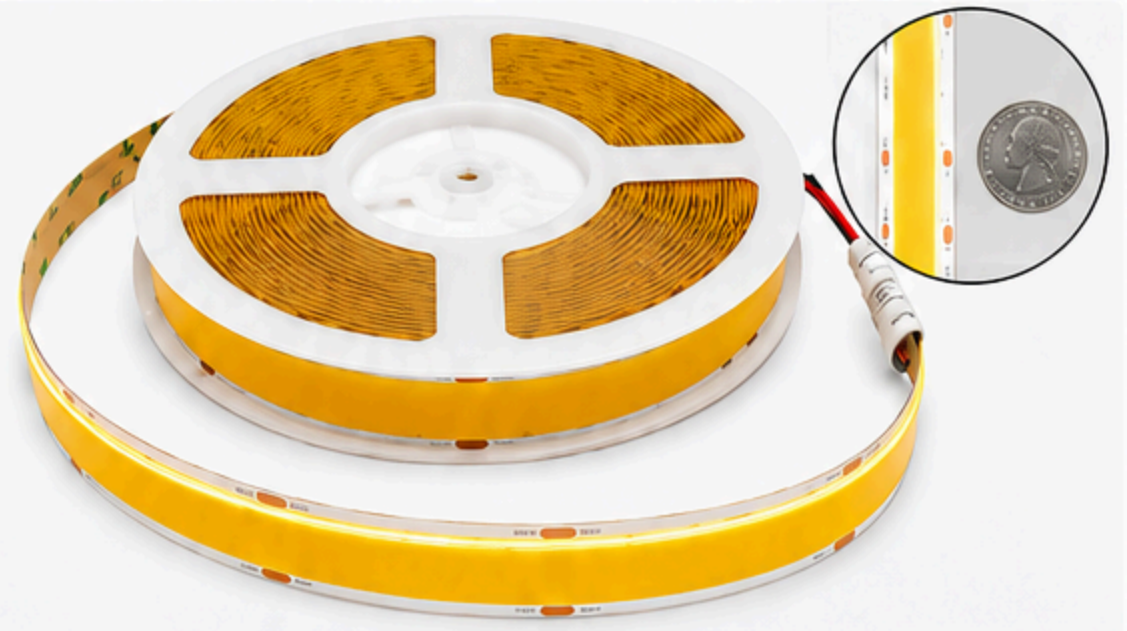
WIDE COB SERIES

The Picovolt Ultra High Output Wide COB Series is engineered for applications that demand maximum brightness and superior performance from a single LED strip.

Its extra-wide 30mm COB light surface delivers an incredibly smooth, dot-free line of illumination while eliminating hotspots and providing exceptional diffuse performance.

Where traditional installations typically require multiple rows of standard COB strips, the 30mm Wide COB Series delivers significantly more light output from a single strip—simplifying installation, reducing labor, wiring points, and power needs.

Ideal for cabinetry, shelving, millwork, architectural cove lighting, displays, commercial installations, and other ultra high-output linear lighting applications.



30mm Wide PCB	40W/M Ultra-Output	24VDC	1920 LEDs/M	cULus Listed	3 Year Warranty
Maximize light-emitting surface	Maximum brightness from one strip	Low voltage operation	Continuous dot-free illumination	Certified by North American standards	Professional grade reliability

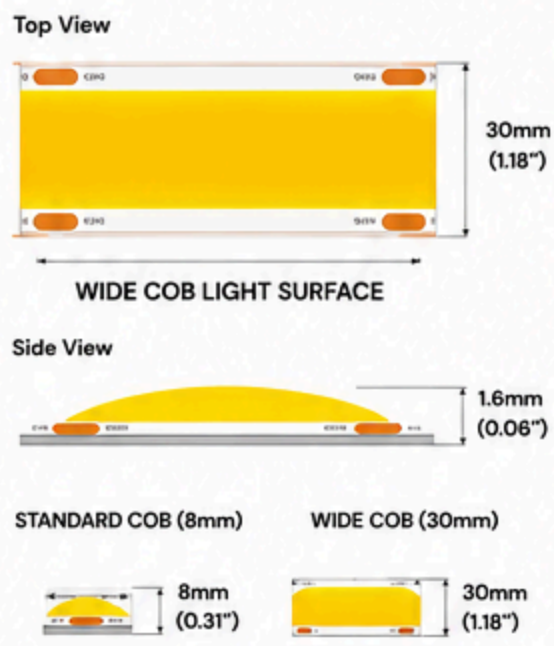
FEATURES

- 30mm ultra-wide COB light surface
- Ultra-high output 40W/m performance
- Smooth dot-free illumination
- Eliminates hotspots
- Superior diffuse performance
- Ideal for cove, display, and accent applications
- Flexible and easy to install
- cULus Listed
- 3 year warranty
- Ideal for commercial and residential applications
- Suitable for use in aluminum profiles
- Replace multiple rows of standard strips for simplified installation

SPECIFICATIONS

Model	Ultra High Output Wide COB
Voltage	24VDC
Power	40W/m
LED Type	COB
LEDs Density	1920 LEDs/m
Width	30mm
max. Run Length	10m
IP Rating	IP20
CRI	90+
Length	5 Meters
Certification	cULus Listed
Warranty	3 Years
Available CCT	3200K / 4200K / 6500K

DIMENSIONS



IMPORTANT INSTALLATION NOTES

⚠ Always fully unwind the LED strip before powering.

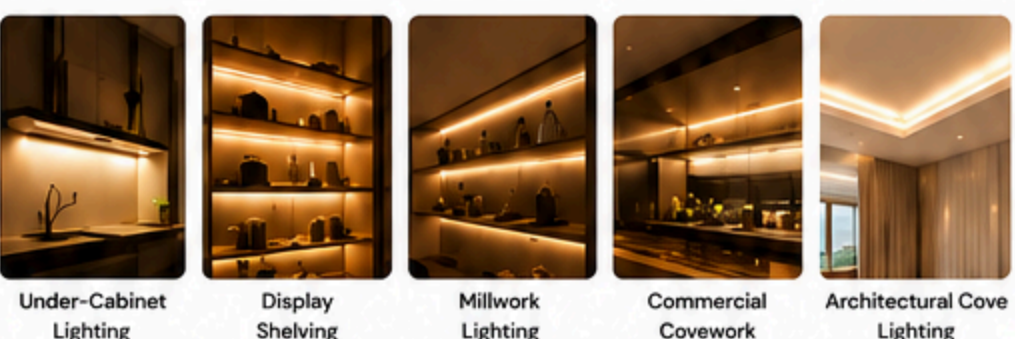
Operating the strip while it remains wound on the reel may cause excessive heat buildup and can permanently damage the product.

Allow adequate airflow during testing and installation.

Do not power while wound

Unroll completely before powering

APPLICATIONS



INCLUDED IN PACKAGE



CONNECTION DIAGRAM

